

Hydraulic Double Acting Swing Clamp Model SJ Bottom Flange

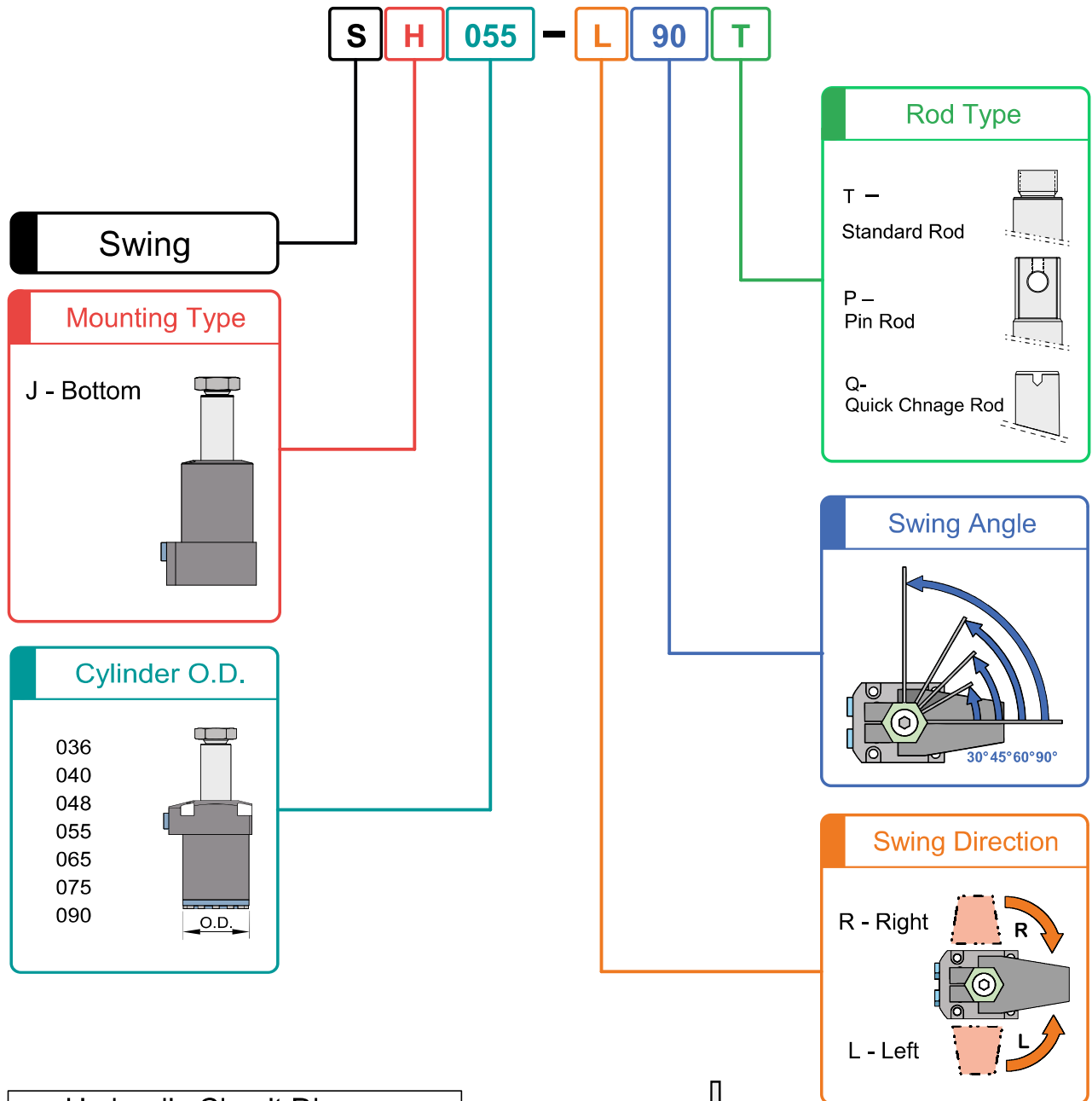


Specifications

Model No.		SJ036-□□□	SJ040-□□□	SJ048-□□□	SJ055-□□□	SJ065-□□□	SJ075-□□□	SJ090-□□	
Cylinder Force	kN	2.15	3.10	4.37	6.14	8.62	12.80	19.41	
Cylinder Inner Diameter	mm	25	30	36	42	50	60	75	
Rod Diameter	mm	15	18	22	25	30	35	45	
Effective Area(Clamp)	cm ²	3.14	4.52	6.37	8.94	12.56	18.65	28.27	
Swing Angle	30°±2°, 45°±2°, 60°±2°, 90°±2°								
Repeated Clamp Positioning Accuracy	±1°								
Full Stroke	mm	18	20	24	26	28	35	40	
Swing Stroke 90°	mm	10	12	16	16	18	23	25	
Vertical Stroke	mm	8	8	8	10	10	12	15	
Cylinder Capacity	Clamp	5.65	9.04	15.30	23.25	35.18	65.28	113.09	179.36
	Unclamp	8.83	14.13	24.42	36.02	54.97	98.96	176.71	286.27
Mass	Kg	0.7	0.9	1.3	1.8	2.7	4.1	6.8	

- Pressure Range: - 10-70 Bar
- Operating Temperature: - 0-70 °C
- Fluid Used: - General Mineral Based Hydraulic Oil (ISO – VG32 Equivalent)
- Given Value of Cylinder Forces Are at 70 Bar Pressure.

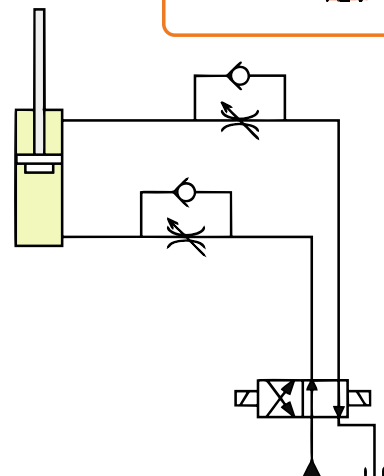
Model No. Selection



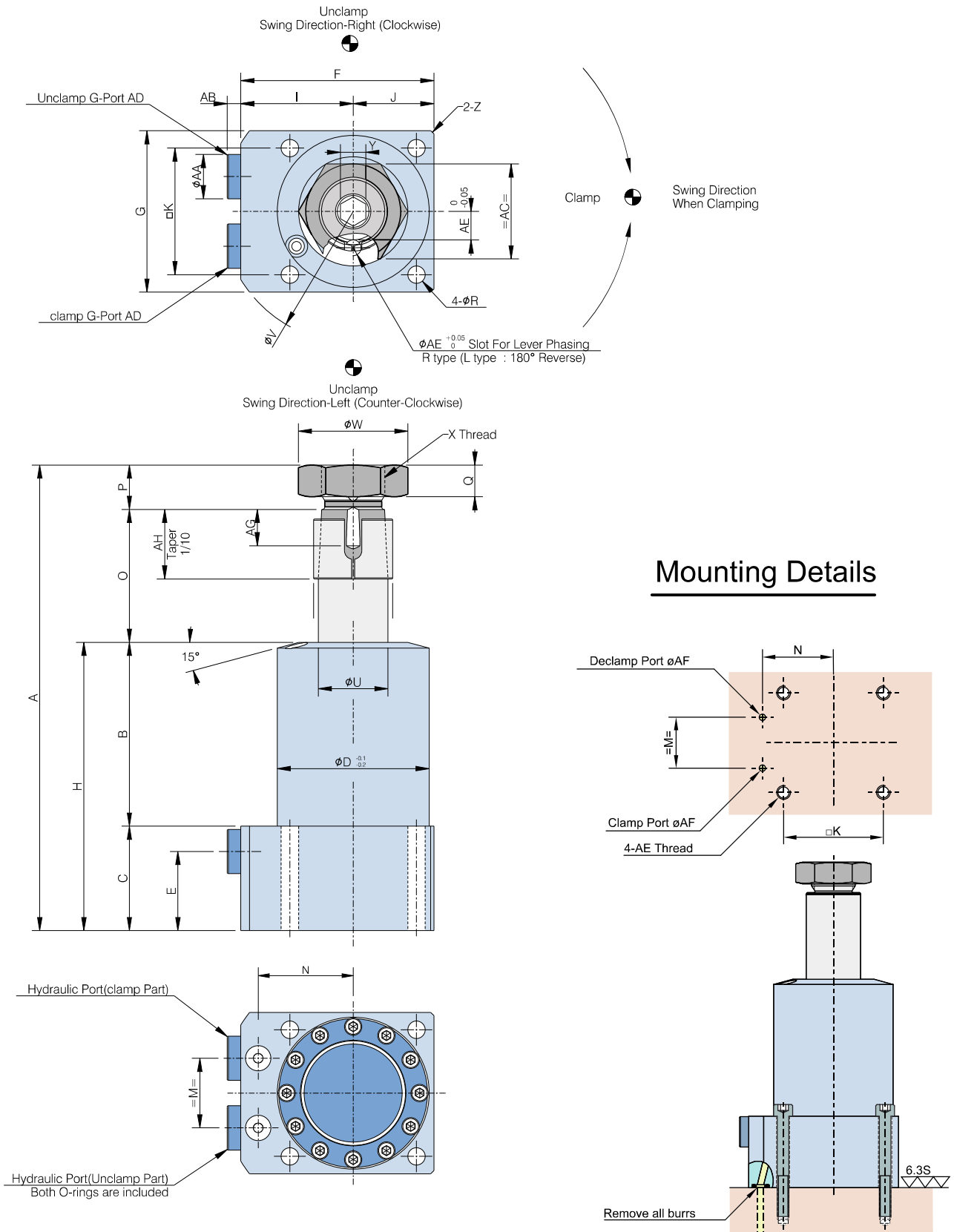
Hydraulic Circuit Diagram

For flow control valve, we recommend the meter-in control. If meter-out control is used due to area difference it will cause back pressure and become high pressure. This can lead to malfunction of the system.

- Please be aware when designing the circuit.



External Dimensions

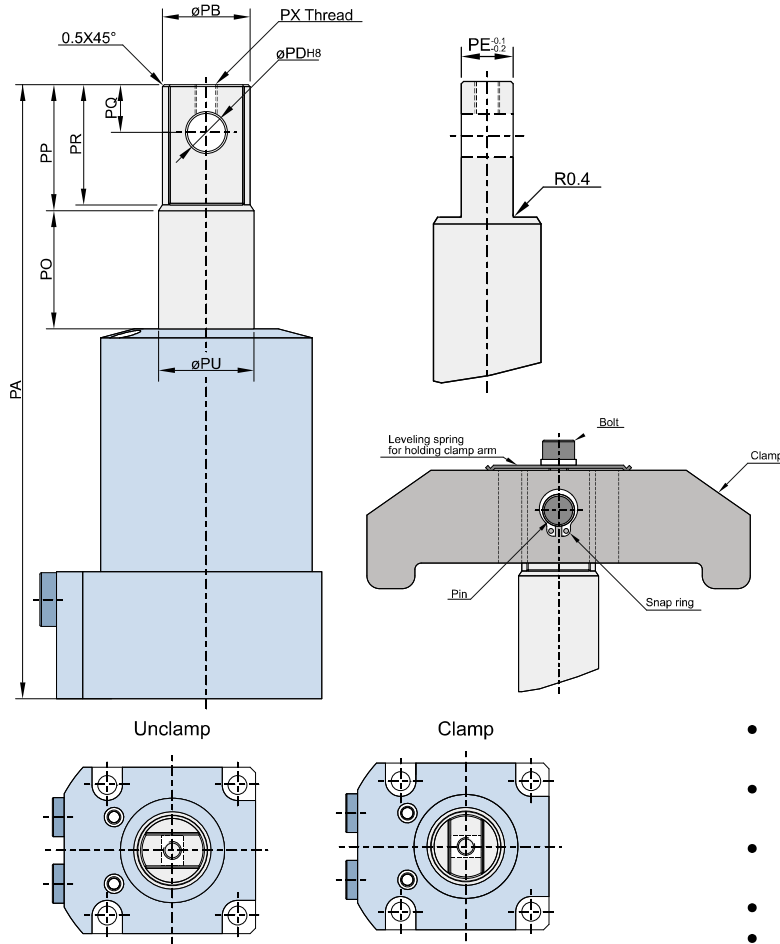


- This figure shows the released position of cylinder.
- The machining dimension ϕ AF is for gasket option for hydraulic fluid supply.

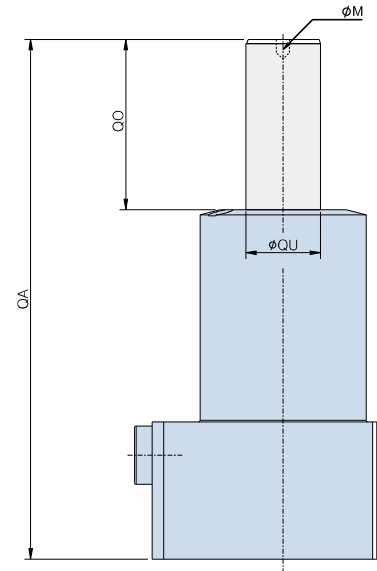
Model No.	SH036-□□P	SH040-□□P	SH048-□□P	SH055-□□P	SH065-□□P	SH075-□□P	SH090-□□P
A	104.5	115.5	129	149.5	158.5	186.5	205.5
B	32	39	48.5	56.5	59.5	67.5	75.5
C	33	33	33	33	35	42	45
∅D	36	40	48	55	65	75	90
E	22	25	25	22.5	25	28	28
F	49	54	61	69	81	92	107
G	40	45	51	60	70	80	95
H	65	72	79.5	89.5	94.5	109.5	120.5
I	29	31.5	35.5	39	46	52	59.5
J	20	22.5	25.5	30	35	40	47.5
□K	31.4	34	40	47	55	63	75
L	72	76	90	94	101	122	143
M	16	18	22	24	30	32	37
N	23.5	26	30	33.5	39.5	45	52.5
O	28.5	31.5	35.5	23	48	61	64
P	11	12	14	15	16	14.5	18
Q	7	8	9	10	11	11	12
R	4.5	5.5	5.5	6.8	6.8	9	11
S	16	15	17.5	17	17	21	25
T	7.5	9	9	11	11	14	17.5
U	15	18	22	25	30	35	45
V	66	73	83	88	106	116	136
W	25.5	27.7	33	35.5	45	53.1	63.5
X ()Nominal X Pitch)	M14X1.5	M16X1.5	M20X1.5	M22X1.5	M27X1.5	M30X1.5	M39X1.5
Y	5	6	8	8	10	10	14
Z	2	3	3	3	4	5	6
∅AA	14	14	14	14	19	19	22
AB	5	5	5	5	5	5	5
AC	22	24	30	32	41	46	55
AD	G1/8	G1/8	G1/8	G1/8	G1/4	G1/4	G3/8
AE	4	4	5	6	6	8	8
AF	6	7	9	10	12.5	14	18.5
AG	9.5	8.5	11.5	9.5	11.5	12.5	11.5
AH	16	17	22	21	24	32.5	37
∅AI	17	20	25	28	34	40	49

- Hexagonal thin nut is included and G-Thread Plug is included.
- Mounting bolts are not provided. Please prepare them according to the mounting height referring to mounting dimension "S".
- Speed control valve is sold separately. Select the right model of speed control valve according to the size of the cylinder.
- The depth of the body mounting hole ∅D should be decided according to the mounting height referring to dimension B.

Dimensions for Pin Rod Option



Dimensions for Quick Change Option

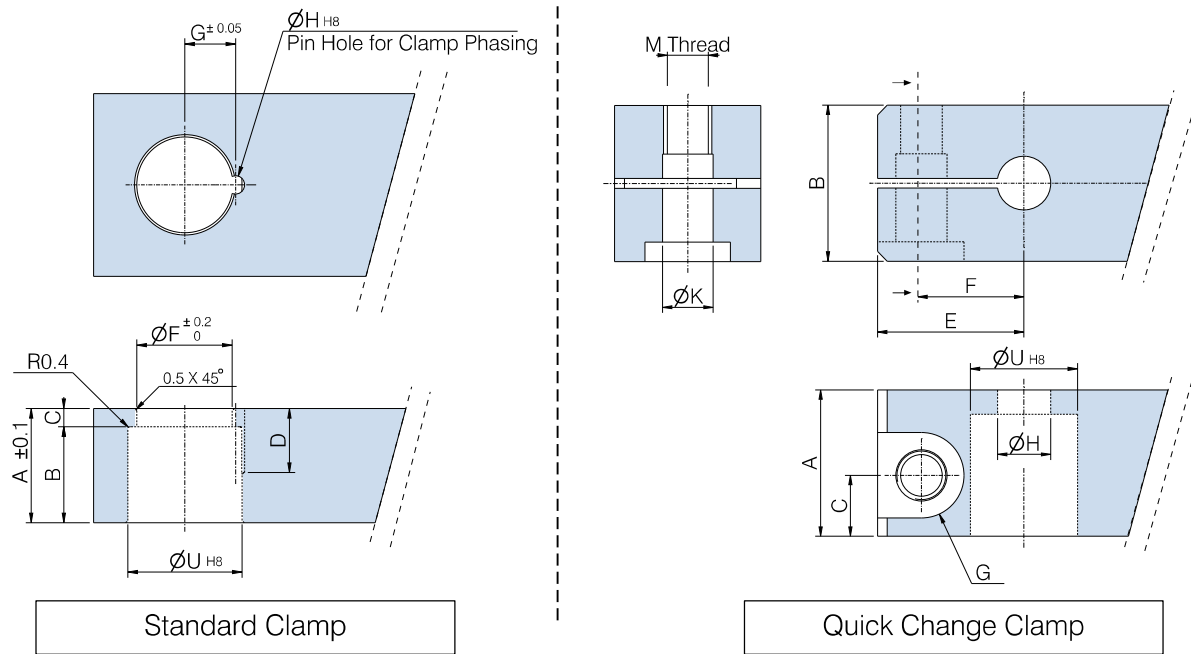


- This figure shows the released position in unclamp condition of cylinder.
- Clamp, snap ring, pin, leveling spring and bolt are not included. Please prepare them.
- Use tapped hole (px thread) on top of rod to attach leveling spring.
- Use leveling spring to maintain lever position.
- To balance clamp, the reference figure is given below.

Model No.	SH036-□□P	SH040-□□P	SH048-□□P	SH055-□□P	SH065-□□P	SH075-□□P	SH090-□□P
QA	102,5	113,5	127	147,5	158,5	185,5	205,5
QO	37,5	41,3	47,5	58	64	76	85
QU	15	18	22	25	30	35	45
ØM	M8	M8	M12	M12	M12	M12	M12

Model No.	SJ036-□□P	SJ040-□□P	SJ048-□□P	SJ055-□□P	SJ065-□□P	SJ075-□□P	SJ090-□□P
PA	102,5	113,5	127	144,5	157,5	186,5	206,5
ØPB	13,5	16	20	23	28	33,5	43
ØPD	6	6	8	10	13	13	16
PE	7	8	10	12	14	16	22
PO	15,5	16	18,5	24	24	30	29
PP	22	25,5	29	36	39	47	57
PQ	9	11	12	12,5	16,5	19	23,5
PR	21	24	27,5	34,5	37,5	45,5	55,5
ØPU	15	18	22	25	30	35	45
PX (Nominal X Pitch)	M3X0,5	M3X0,5	M4X0,7	M5X0,8	M6X1	M6X1	M8X1,25

Clamp Design Dimensions



Standard Clamp							
Model No.	SH036-□□P	SH040-□□P	SH048-□□P	SH055-□□P	SH065-□□P	SH075-□□P	SH090-□□P
A	17	19	23	26	29	35	43
B	14	16	19	22	25	31	38
C	3	3	4	4	4	4	5
D	10.5	10.5	12.5	14.5	16.5	17.5	17.5
ØF	15	17	21	23.5	29	33	42
G	8	9	11.5	13	15.5	18	22.5
H	4	4	5	6	6	8	8
ØU	17	20	25	28	34	40	49

Quick Change Clamp							
Model No.	SH036-□□P	SH040-□□P	SH048-□□P	SH055-□□P	SH065-□□P	SH075-□□P	SH090-□□P
A	22	25	30	34	40	46	55
B	22	26	32	36	45	53	70
C	11	12.5	15	17	20	23	27.5
E	15	19	23	26.5	31.5	36.5	46
F	9.75	12	14.75	17	20	23.5	29.75
G	R5.5	R7	R8.75	R10	R11.5	R13	R16
ØH	3	4	4	4	6	6	8
ØJ	2.5	3.5	3.5	4	5.5	5.5	7.5
K	6.5	8.5	10.5	12.5	14.5	16.5	21
L	3.4	4.5	4.5	4.5	6.5	6.5	9
M (Nominal X Pitch)	M6X1	M8X1.25	M10X1.5	M12X1.75	M14X2	M16X2	M20X2.85
ØU	15	18	22	25	30	35	45

- Clamp is not included in scope of supply.